

In just 7 seconds, less than the time  
It will take you to read this sentence, the

# *Power Access* **Automatic Door Opener**

**Could open the door.**

**Is Power Access for you?** Yes if easy access is important. For busy employees to assist disabled individuals, or anyone who finds a closed door a problem, the Power Access Door Opener can make comings and goings easier.

**Ideal for a variety of uses:** Wherever easy access is wanted or needed, the Power Access Door Opener can be the answer. Since it's development in the late 1970's, Power Access has been opening doors in:

**Colleges**

**Libraries**

**Homes**

**Offices**

**Industry**

**Apartment Houses**

**Clinics**

**Hospitals**

**Hotels**

**Care Facilities**

**Laboratories**

**Government Buildings**

**Our very first installation in 1979 on the Oshkosh Campus of the University of Wisconsin is still working !**

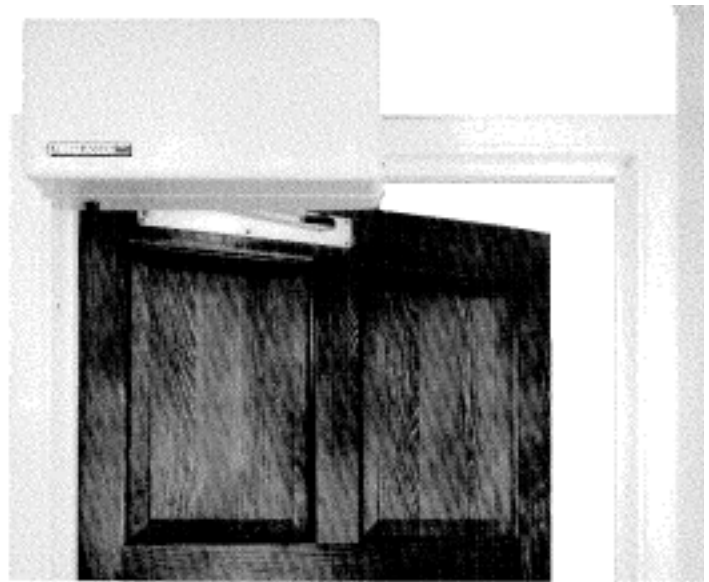
**Unique design makes installation easy.** The Power Access Door Opener is simple to install. There's just no other door opener like it. No modification of the door or jambs is required, and it just plugs into a regular 115 VAC wall outlet. Complete instructions are packed with every unit. The Model 4300 is designed for versatility. It fits most interior and some exterior door applications. Left and right hand units are available. Jamb mount or door mount. If there isn't enough room above the door, there is an inverted model. The Power Access door opener is activated by an electric signal. For your convenience, we've developed an array of controls adapted for special needs. Choose from push button or push plate wall styles, wireless coded radio-controlled switches or specialty sip and puff controls.

## The practical door operator by Power Access features safety

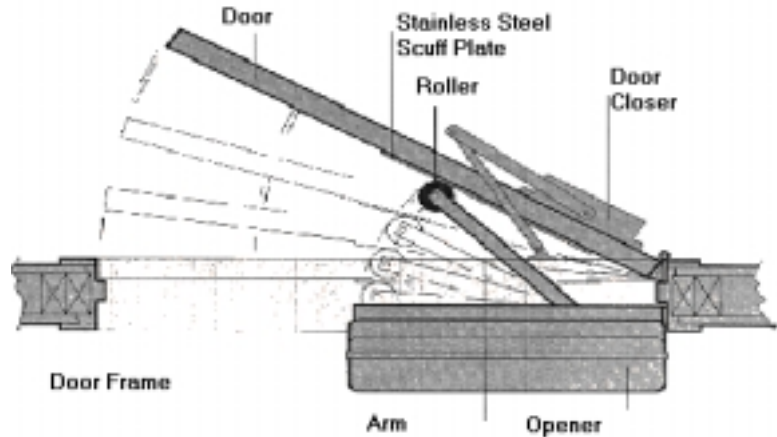
The Power Access automatic door operator has important built-in safety features-both mechanical and electrical. The operator arm is not attached to the door. Instead, a wheel at the end of the operator arm rolls against the face of the door, pushing the door open.

The importance of this unique feature is that the door can always be opened manually from either side without involving the operator. Traffic flow through the doorway is not hindered by the operator. The Power Access opener is always used in conjunction with a conventional door closer, either surface-mounted or concealed.

If the door meets an obstruction during the opening cycle, a built-in load sensing circuit automatically stops the operator and the arm returns to the at-rest, or closed position. The drive motor is thermally protected. Door hold-open time can be set for as long as 30 seconds, longer if necessary. A range of door sizes and opening forces can be accommodated.



The Power Access automatic door operator is low-cost and virtually maintenance free. (A couple of drops of oil and a bit of grease every year is all it takes.) Once the unit is in place, you practically forget about it.



### Top View Typical Installation

The Model 4300 opener converts most interior and some exterior side-hung doors to power operation.

Left and right hand units available-as well as inverted, deep reveal and door mounted units for special applications. The most important features are: the operator arm is not attached to the door itself, so unassisted opening and closing of the door is not hindered; it is simple to install, low in cost and requires little maintenance.

**Steel frame. Rugged construction. Solid-state electronics.**

### Power Access automatic door operators offer you:

- |                              |  |
|------------------------------|--|
| Economy                      | Versatile manual or electric operation |
| Easy installation            | Nationwide dealer network              |
| Low maintenance              | Built-in safety features               |
| Rugged construction          | Solid state circuitry                  |
| Choice of operating controls | One year warranty                      |

## Companion controls are easy to choose and use.

Which companion control suits your needs? We've tried to offer economy, durability and functionality in all Power Access products. Any dry contact signal will activate the Power Access door opener with just the push of a button, doors will open. Or select a touch plate switch that senses the capacitance of a hand and does not require pressure. Key switches offer security; wireless wall switches are easy to install. Coded radio transmitters are the portable solution. Also available, but not shown, are sip or puff controls, and infrared beam activators. All controls can interface with electric door locks (strikes) for security. If you have questions about which companion control is best, or if you have an application you don't see listed here, ask **Barrier-Free Access Systems, Inc.**

### Control Options

	Wired		Wireless		Wireless
	Surface	Flush	Surface	Flush	Portable
Push Button	✓	✓	✓	✓	
Push Plate	✓	✓	✓	✓	
Keyless	✓		✓		
Touch	✓	✓			
Radio Transmitter					



4466S



4488S

### Keyless Entry Systems

Provide access for specified individuals. Available as wireless or wired type switches. Coded wireless signal.

### Push Button Wall Switches

Heavy duty switch Supplied in push button configuration with separate wall mount identification plate as shown Available as wireless type switch, or as wired version which includes 12 feet of two lead wire. Specify surface mount wall box (Model 4466SB), or flush mount (Model 4466FB).



4466S

### Coded Radio Transmitter/Receiver

Automatic door operation for specified individuals.

1,024 possible codes eliminate signal duplication and frequency overlap. 1, 2 or 4 button transmitters available (Models 4440). Can be used to provide given individuals access to different combinations of specified areas. Transmitters require a receiver (Model 4470) to actuate door opening cycle. The receiver is mounted inside the operator.



4444F

### Push Plate Wall Switches

Choice of 2 1/2 " square push plate on Model 4466, or 5" square push plate on waterproof, heavy duty Model 4488. Available as wired-in version with 12 feet of 2 lead wire, or, as wireless type switch which does not need to be wired to operator. Wireless signal is coded to prevent signal duplication or frequency overlap in multiple unit installations. Specify surface mount wall box as shown above, or flush mount wall box.

### Touch Plate Wall Switch

No pressure necessary, senses the capacitance of a hand when touched. Stainless steel touch plate combines appearance and low maintenance. Low profile reduces vandalism. No moving parts, explosion proof. Includes 12 feet of 3 conductor low voltage wire. Specify with or without handicap emblem. Specify surface mount switch (Model 4444S) or flush mount (Model 4444F).



4440T

Radio Receiver

Electric

### Electric Door Lock (Strike)

Permits door to be secured when closed, but releases automatically when opener receives signal.

Models for metal or wooden jambs.

Silent operation.

## **Specifications:**

Automatic door operator shall be electro-mechanical, self contained, jamb mounted unit. The operator arm shall not be attached to the door, so that the door may be used in the full manual mode as required. The unit shall have an external on/off switch and an adjustable timed hold-open feature from 0 to 30 seconds. Operator shall have a painted, welded steel frame, Acrylic/PVC housing (meets UL 94V-O) and shall require 115vac 60Hz 3 amp service at header location.

### **Operation:**

Electro-mechanical. Works against a standard closer. Seven second cycle time. Adjustable Timed Hold Open feature from 0 to 30 seconds, or a hold open that requires a signal to close.

### **Power:**

Requires 115vac 60hz 3amp service to receptacle box.

### **Motor:**

115 vac 60hz permanent split capacitor, thermally protected.

### **Dimensions:**

18 1/2" x 8 1/2" x 7"

### **Weight:**

19 pounds

### **Material/Finish:**

Painted welded steel frame, ABS plastic housing.

### **Physical application:**

Jamb-mount, or inverted mount; no physical attachment of arm to door. Door mount; attached to door with arm pushing against door frame header.

The operator shall be mounted according to drawings and instructions provided with each unit, and used in conjunction with a conventional manual door closer either of the surface mounted or concealed type. The unit shall stop if it meets an obstruction during an operating cycle. It shall have an externally accessible circuit breaker to allow reselling in the event of an overload surge. It shall have a built-in line filter to suppress ac line transients and RFI.

### **Activation:**

Touch plate, push button, push plate, radio transmitter, mats, or any momentary dry contact signal.

## **Our Warranty**

The Power Access Operator and controls are covered by a one year limited warranty on materials and workmanship. In addition, Power Access offers a nationwide network of trained service technicians who are continually updated on our products and service techniques.

We are proud that, since 1978 when Power Access Corporation was founded, we have been opening doors for customers all over North America. We're making it easier for people to visit Federal, state and local municipal buildings. Hundreds of schools and colleges across the country use Power Access Door Operators. Installed in homes, apartment buildings, hotels and factories, Power Access automatic door openers are on the job.

We are located in northwestern Connecticut, an area noted for the ingenuity of its metal workers and engineers. Our assembly techniques assure top quality and dependability. We are a small company, with a big dealer network. We have an "Open Door Policy" with all of our customers, dealers, and potential customers, too. If you've used a Power Access door operator, we'd like to know how you like it.

**For further information, please contact:**

**BARRIER-FREE ACCESS SYSTEMS, INC.**

**19 HORSESHOE DRIVE NORTHPORT, NY 11768**

**(631) 757-4975, FAX (631) 757-4976**