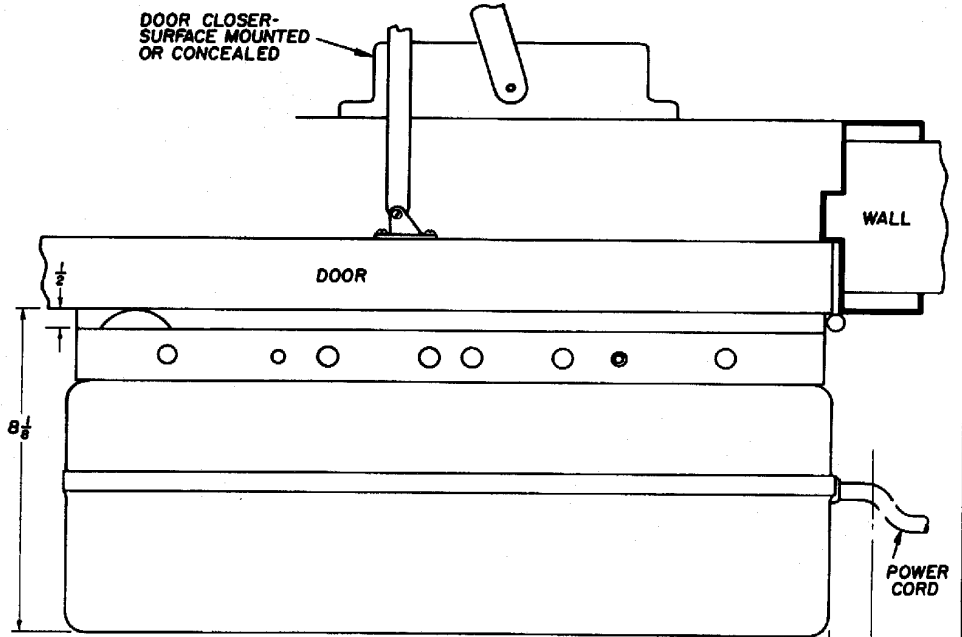


ROLLER SCUFF PLATE

JAMB

**MODEL 4300 DOOR MOUNTED**

**POWER REQUIREMENTS - 115 VAC, 3 AMP, SINGLE PHASE  
GROUND RECEPTACLE, 9 FT. POWER CORD SUPPLIED.  
SENSORS - TOUCH SWITCHES, WALL SWITCHES OR  
RADIO CONTROL AS SPECIFIED.  
BLANK LATCH STRIKE PLATE SUPPLIED.**



DOOR CLOSER -  
SURFACE MOUNTED  
OR CONCEALED

WALL

DOOR

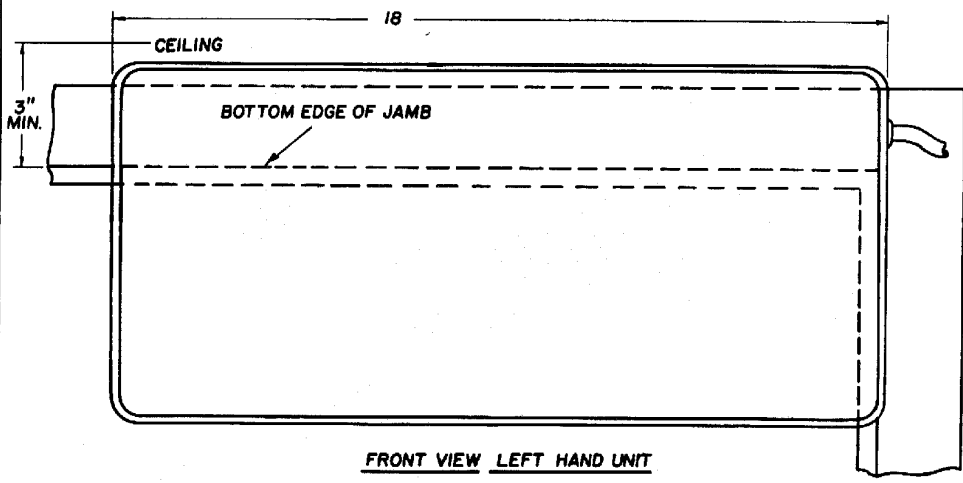
POWER  
CORD

8 7/8

1/2

**TOP VIEW LEFT HAND UNIT**

8 1/2" MIN. CLEARANCE  
WITH DOOR OPEN



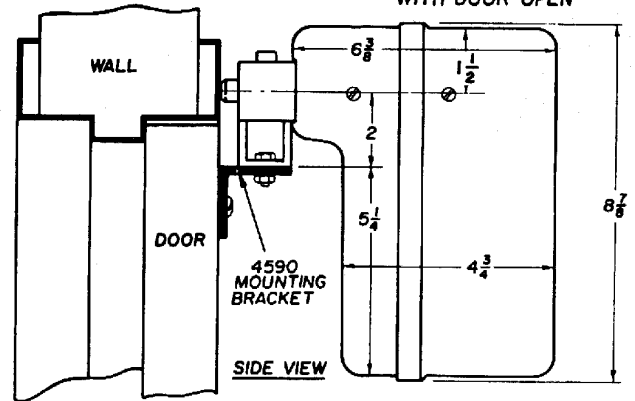
CEILING

18

BOTTOM EDGE OF JAMB

3" MIN.

**FRONT VIEW LEFT HAND UNIT**



WALL

DOOR

4590  
MOUNTING  
BRACKET

**SIDE VIEW**

<b>POWER ACCESS</b> CORPORATION	
MODEL 4300 DOOR MTD.	
ARCHITECTURAL REQUIREMENTS	
3/91	4269